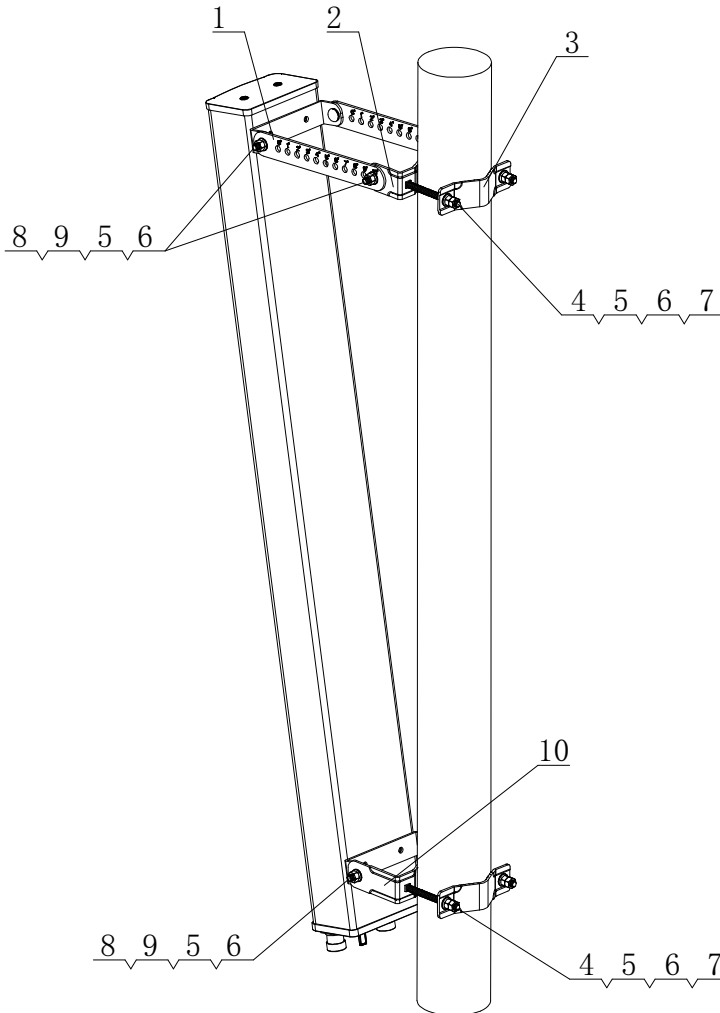


## Installation Instructions

Refer to the **Parts Table** below to check the all mounting kits are included; ensure there is no serious physical damage on the parts to prevent any installation failed.



**Parts Table:**

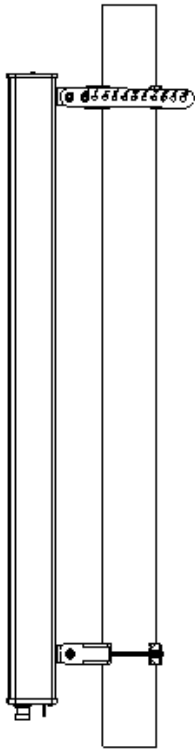
| NO. | Part Description  | Qty |
|-----|-------------------|-----|
| 1   | Tilt Indicator    | 2   |
| 2   | Bracket-1         | 1   |
| 3   | Bracket-2         | 2   |
| 4   | M10×115 Bolt Hex  | 4   |
| 5   | M10 Nut Hex       | 14  |
| 6   | φ10 Washer Flat   | 10  |
| 7   | φ10 Washer Spring | 10  |
| 8   | M10×30 Bolt Hex   | 6   |
| 9   | φ14 Washer Flat   | 6   |
| 10  | Bracket-3         | 1   |

### Notice:

All the work on installation, maintenance, or removal to the antenna system is required by qualified with experienced personnel. It recommends that keep a check on the Antenna Systems once a year to ensure the orientations and connections are work as normal.

### Caution:

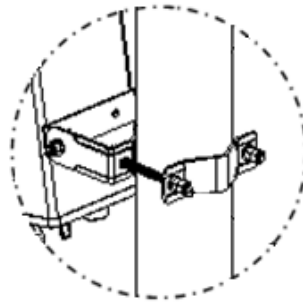
1. Do not install near the Power Lines or Guy Wires to prevent getting an electric shock.
2. Do not install in the wet-day, windy day, either lightning or thunder, do not use a metal ladder at the same time.
3. It strongly recommends when working on installation that wearing a pair of shoes with rubber soles and heels, protective clothing with a long-sleeve and rubber gloves.



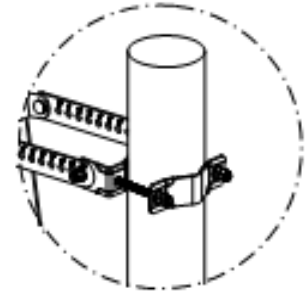
Side View ↑



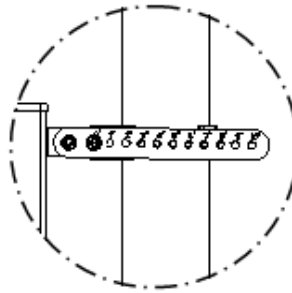
Back View ↑



#1. Fix the lower clamp on any proper position of the pole/mast.



#2. Fix the upper clamp on the pole/mast, and then screw all the nuts tightly.



#3. Set the downtilt angle to 0 degree by adjusting the **Tilt Indicator**, and then lock all the bolts.

### Tightening Nut Hex Torque Values

| Dia. | Tension  | Torque |
|------|----------|--------|
| M8   | 16-22N.m | 13mm   |
| M10  | 32-40N.m | 17mm   |

### Tightening Connector Torque Values

| Connector Type | Tension  |
|----------------|----------|
| 7-16 DIN       | 25-30N.m |